



Electrolux
PROFESSIONAL

**Modular Cooking Range Line
700XP Freestanding Gas Boiling
Pan 60lt direct heat**

ITEM # _____

MODEL # _____

NAME # _____

SIS # _____

AIA # _____



371271 (E7BSGHDNF0)

* NOT TRANSLATED *

Main Features

Main Features

- Kettle is suitable to cook, sauté or poach all kinds of produce.
- Produce is uniformly heated in the base and side walls of the kettle by a direct heating system.
- Pressed cooking vessel and lid in 316 AISI Stainless steel.
- Robust burners in stainless steel with flame failure device, protected pilot light and optimized combustion.
- Appliance is IPX4 water resistance certified.
- Solenoid valve to refill with hot and cold water.
- Safety valve avoids overpressure of the steam in the jacket.
- No overshooting of cooking temperatures, fast reaction.
- Large capacity drain tap enables precise portioning of the discharged food, especially small quantities.
- Firmly fitting cover to reduce cooking time and save energy costs.
- Ergonomic: unique ratio vessel diameter and height; depth facilitates stirring and gentle food handling.
- Discharge tube and tap are very easy to clean from outside.
- Smooth large surfaces, easy access for cleaning.
- Exterior panels in Stainless Steel with Scotch Brite finish.
- One piece pressed 1.5 mm work top in Stainless steel.
- Model has right-angled side edges to allow flush fitting joints between units, eliminating gaps and possible dirt traps.
- Unit delivered with four 50 mm legs in stainless steel as standard (all round Stainless steel kick plates as option).

Construction

- Robust burners in stainless steel with flame failure device, protected pilot light and optimized combustion.
- One piece pressed 1.5 mm work top in Stainless steel.
- IPx4 water protection.
- The tanks are welded in two parts, the side band is in AISI 304, bottom is in ASI 316L, lids are in AISI 304.

Sustainability



- Closed heating system - no waste of energy.
- Firmly fitting cover to reduce cooking time and save energy costs.

Optional Accessories

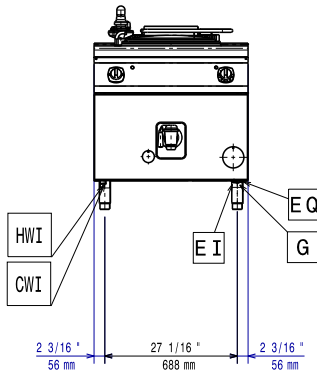
- Junction sealing kit PNC 206086
- Draught diverter with 150mm diameter PNC 206132

APPROVAL: _____

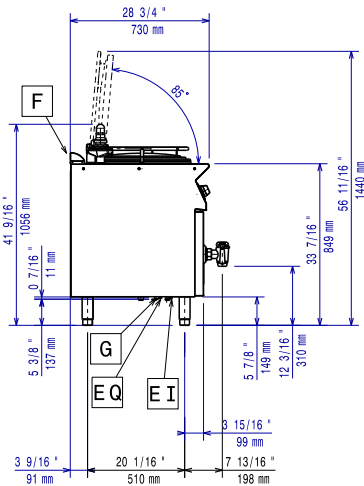


Experience the Excellence
www.electroluxprofessional.com

Front

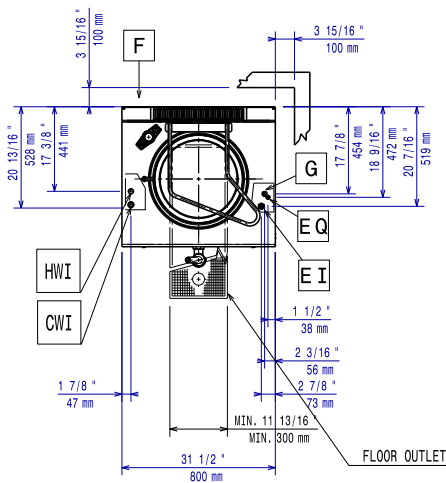


Side



- CWI = Cold Water inlet 1 (cleaning) HWI = Hot water inlet
 D = Drain
 EI = Electrical inlet (power)
 G = Gas connection

Top



Electric

Supply voltage: 230 V/1N ph/50 Hz
 Total Watts: 0.1 kW

Gas

Gas Power: 14 kW
 Standard gas delivery: Natural Gas G20 (20mbar)
 Gas Type Option: LPG
 Gas Inlet: 1/2"

Water:

Water drain outlet size: 1 1/2"

Key Information:

No clearance needed on rear sides of unit if wall is of non combustible type. If wall is combustible, minimum 50 mm wall clearance should be maintained.

Pan useful capacity: 60 lt
 Vessel (round) diameter: 420 mm
 Net weight: 95 kg
 Shipping weight: 84 kg
 Shipping height: 1140 mm
 Shipping width: 820 mm
 Shipping depth: 860 mm
 Shipping volume: 0.8 m³
 Certification group: N7PG